

The
United
States
of
America



UNITED STATES PATENT

Granted on June 4, 1991 to

Phillip C. Apple

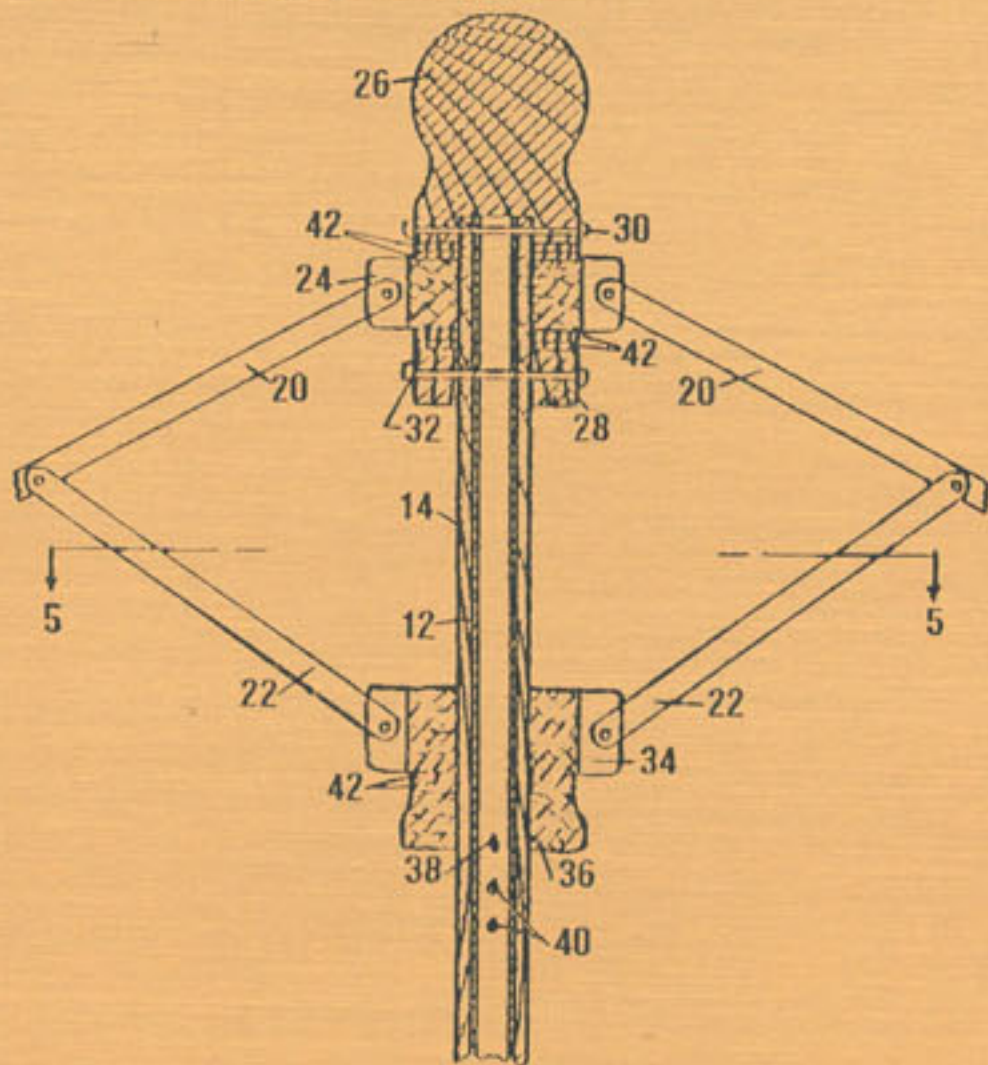
INVENTOR

5,020,557

ROTATING CANOPY UMBRELLA

Phillip C. Apple, R.D. 1, Box 65,
Mt. Pleasant Mills, PA 17853

A rotating canopy umbrella includes a canopy assembly that is free to rotate about the axis of a fixed center post. Also included in the design of the umbrella are disks of bearing material used to reduce surface friction during rotation.



The Commissioner of Patents and Trademarks has received an application for a patent for a new and useful invention. The requirements of law have been complied with, and it has been determined that a patent on the invention shall be granted under the law. Therefore, this

United States Patent

Grants to the person or persons having title to this patent the right to exclude others from making, using or selling the invention throughout the United States of America for the term of seventeen years from the date of this patent, subject to the payment of maintenance fees as provided by law.

Harry F. Mansbach, Jr.

Phillip C. Apple

Commissioner of Patents and Trademarks

Attest